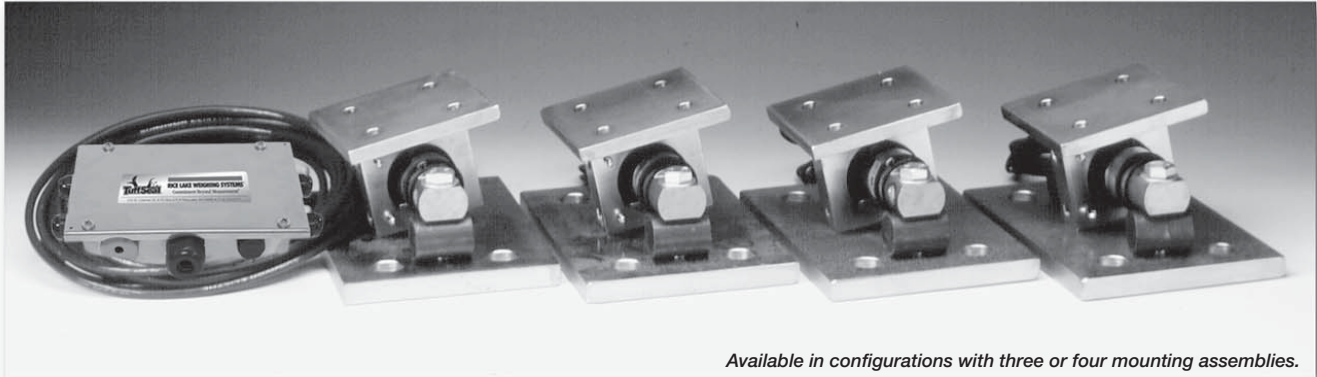


Weigh Modules • Tank and Hopper Kits

EZ Mount 1 Mild Steel, Rice Lake Weighing Systems/Revere Transducers



Available in configurations with three or four mounting assemblies.

Picture is a representation of actual product

The EZ Mount 1 Series weigh modules utilize the double-ended beam design with an articulating top plate to provide superior accuracy in any loading condition.

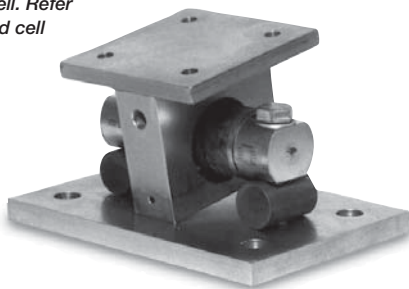
The double-ended beam design means there is less cumbersome hardware and each module has a lower profile than modules of different configurations.

NTEP certified and FM approved RL70000 Series load cells give you accuracy and dependability in many applications, including intrinsically safe and explosion proof areas.

Load Cell Certifications:



Module with RL70000 double-ended shear beam load cell. Refer to page 132 for load cell specifications.



Advanced Weigh Technologies, Inc
Quality Scales and Weighing Systems

Complete Kit Includes:

- 1 JB4SS NEMA 4X stainless steel signal trim junction box
- 3 or 4 EZ Mount 1 mild steel compression mounts
- 3 or 4 RL70000 double-ended shear beam load cells (see page 132)
- 25' of our Hostile Environment EL147HE SURVIVOR® load cell cable

APPLICATIONS:

- Medium- to heavy-capacity tank and hopper weighing applications

STANDARD FEATURES:

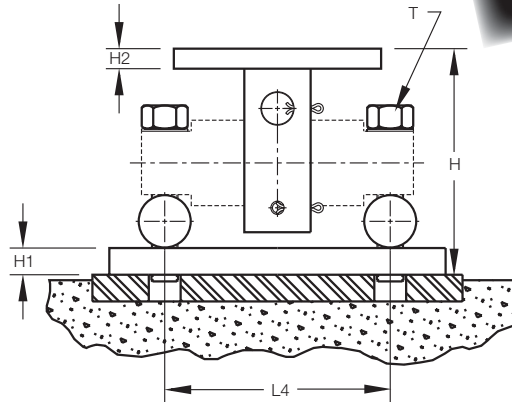
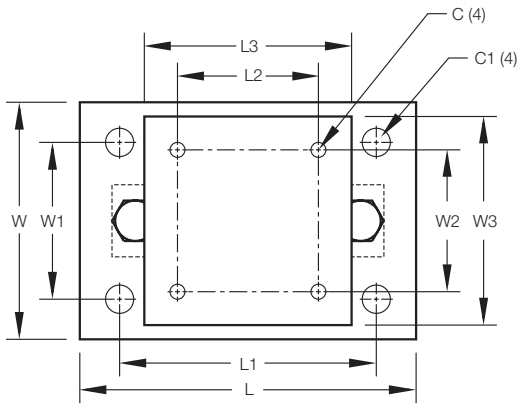
- Capacities (per module): 5000-250,000 lb (2268-113,398.1 kg)
- NTEP-certified load cells
- Unique sliding pin design compensates for thermal expansion/contraction
- Self-checking
- Easy load cell replacement
- Simplified design allows bolting directly to tank and floor
- Center-loaded double-ended shear beam design
- Low profile design
- Painted mild steel construction

OPTIONAL FEATURES:

- Kits available with Revere Transducers 5103 load cell, capacities in 5000-150,000 lb (2268.0-68,039.0 kg)

Mild Steel EZ Mount 1 Specifications

**Complete Kit!
Compare
& Save!**



RATED CAPACITY	DIMENSIONS														
	C	C1	H	H1	H2	L	L1	L2	L3	L4	T	W	W1	W2	W3
lb/inches															
5000-20,000	.56	1.06	5.31	.75	.50	11.00	8.00	3.00	6.00	6.87	5/8-18 UNF	7.50	4.00	3.00	6.00
30,000-60,000	.68	1.19	8.43	1.00	.75	15.00	11.50	5.12	8.00	8.50	1-14 UNS	10.00	6.00	5.12	8.00
100,000	.81	1.38	10.37	1.25	1.25	18.00	14.00	7.50	10.00	9.50	1-14 UNS	12.00	9.00	7.50	10.00
150,000	.81	1.38	10.37	1.25	1.25	18.00	14.00	7.50	10.00	9.50	1-14 UNS	12.00	9.00	7.50	10.00
200,000-250,000	1.06	1.88	16.75	2.00	2.00	26.00	20.00	9.00	12.00	13.00	1 1/2-12 UNS	12.00	6.00	9.00	12.00
kg/mm															
2268.0-9071.9	14.2	26.9	134.9	19.1	12.7	279.4	203.2	76.2	139.7	174.5	5/8-18 UNF	190.5	101.6	76.2	139.7
13,607.8-27,215.5	17.3	30.2	214.1	25.4	19.1	381.0	292.1	130.0	203.2	215.9	1-14 UNS	254.0	152.4	130.1	203.2
45,359.2	20.6	35.1	263.4	31.8	31.8	457.2	355.6	190.5	254.0	241.3	1-14 UNS	304.8	228.6	190.5	254.0
68,039.0	20.6	35.1	263.4	31.8	31.8	457.2	355.6	190.5	254.0	241.3	1-14 UNS	304.8	228.6	190.5	254.0
90,718.5-113,398.1	26.9	47.8	425.5	50.8	50.8	660.4	508.0	228.6	304.8	330.2	1 1/2-12 UNS	304.8	152.4	228.6	304.8

NOTES: • Mounting bolts (T) may project on lower side of base plate • Foundation plate not included

EZ MOUNT 1 MILD STEEL ORDER INFORMATION

Load Rating (Per Module)	Part #
--------------------------	--------

Single Module (Does NOT include Load Cell)

5000-20,000 lb (2268.0-9071.9 kg)	17823
30,000-60,000 lb (13,607.8-27,215.5 kg)	17824
100,000 lb (45,359.2 kg)	17850
150,000 lb (68,039.0 kg)	29012
200,000-250,000 lb (90,718.7-113,398.4)	26068

3-Module Kit

5000 lb (2268.0 kg)	18163
10,000 lb (4535.9 kg)	18164
20,000 lb (9071.9 kg)	18165
30,000 lb (13,607.8 kg)	32164
40,000 lb (18,143.7 kg)	32167
50,000 lb (22,679.6 kg)	18166
60,000 lb (27,215.5 kg)	18167
100,000 lb (45,359.2 kg)	18168
150,000 lb (68,040 kg)	43290

4-Module Kit

5000 lb (2268.0 kg)	18169
10,000 lb (4535.9 kg)	18170
20,000 lb (9071.9 kg)	18171
30,000 lb (13,607.8 kg)	32165
40,000 lb (18,143.7 kg)	32166
50,000 lb (22,679.6 kg)	18172
60,000 lb (27,215.5 kg)	18173
100,000 lb (45,359.2 kg)	18174
150,000 lb (68,040 kg)	43291

RTI EZ MOUNT 1 MILD STEEL ORDER INFORMATION

Load Rating (Per Module)	Part #
--------------------------	--------

3-Module Kit

5000 lb (2268.0 kg)	18175
10,000 lb (4535.9 kg)	18176
20,000 lb (9071.9 kg)	18177
30,000 lb (13,607.8 kg)	32169
40,000 lb (18,143.7 kg)	32171
50,000 lb (22,679.6 kg)	18178
60,000 lb (27,215.5 kg)	18179
100,000 lb (45,359.2 kg)	18180
150,000 lb (68,039.0 kg)	18181

4-Module Kit

5000 lb (2268.0 kg)	18182
10,000 lb (4535.9 kg)	18183
20,000 lb (9071.9 kg)	18184
30,000 lb (13,607.8 kg)	32170
40,000 lb (18,143.7 kg)	32172
50,000 lb (22,679.6 kg)	18185
60,000 lb (27,215.5 kg)	18186
100,000 lb (45,359.2 kg)	18187
150,000 lb (68,039.0 kg)	18188

Dummy Load Cells

5000-20,000 lb	33749
30,000-60,000 lb	74016
100,000 lb	94175

Advanced Weigh Technologies, Inc

Quality Scales and Weighing Systems