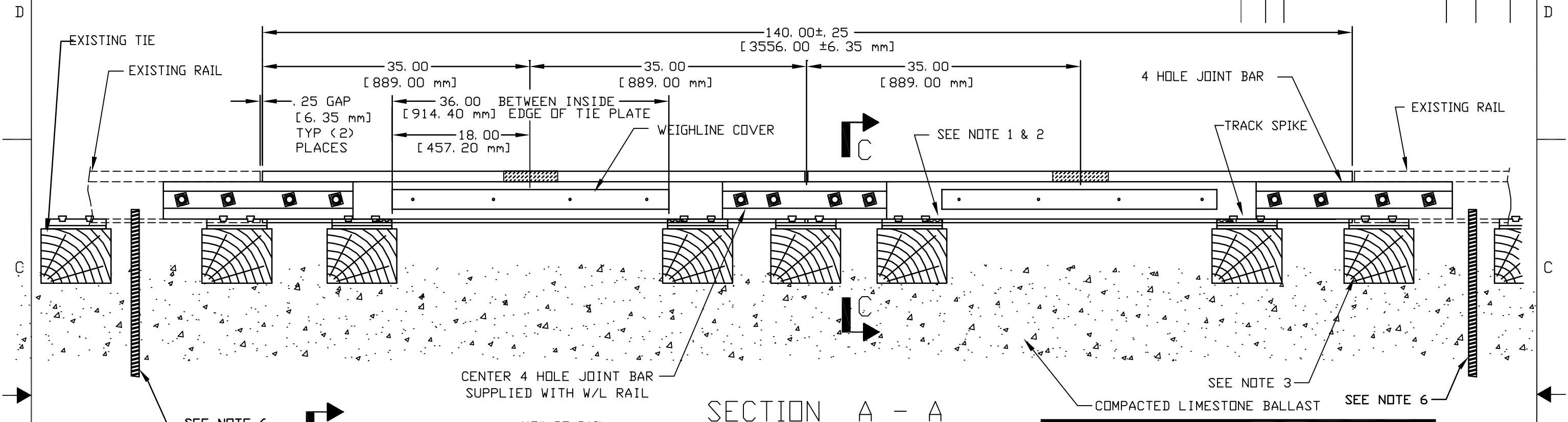


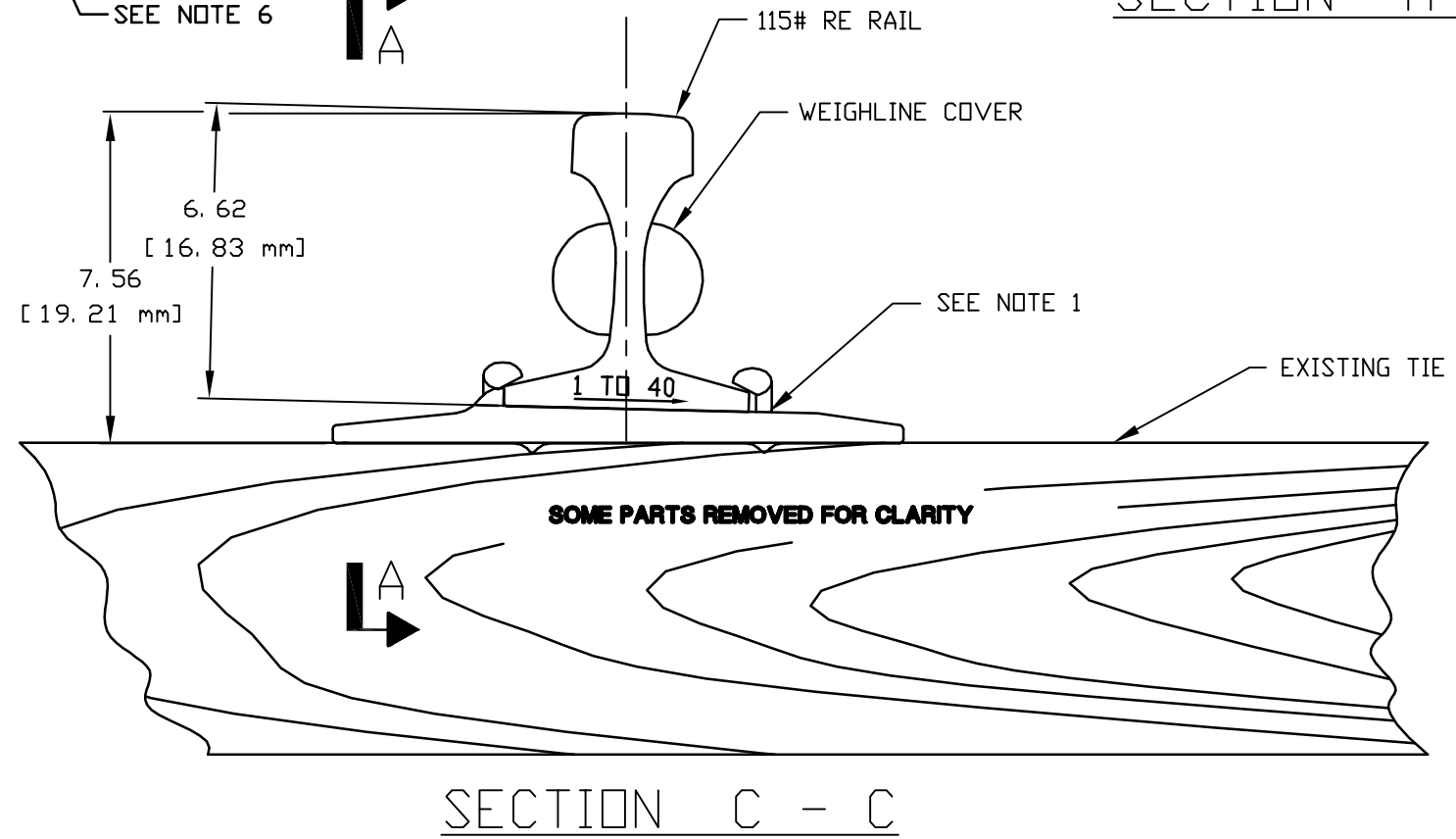
8 7 6 5 4 3 2 1

REVISIONS				
ZONE	LTR	DESCRIPTION	BY	DATE



DIMENSIONS IN BRACKETS [xxx] ARE MILLIMETERS

- NOTES:
1. ALL RAIL MOUNTING HARDWARE TO BE SUPPLIED BY CUSTOMER.
 2. AVOID HITTING WEIGHLINE COVER, WHEN INSTALLING SPIKES, OR DAMAGE MAY RESULT.
 3. ADDITIONAL TIES TO BE ADDED UNDER THE JOINT BAR LOCATIONS.
 4. TRACK IN THE WEIGHLINE AREA AND FOR 50' EITHER SIDE MUST BE TO MAINLINE STANDARDS.
 5. ALL TIES FOR 25' EITHER SIDE OF WEIGHLINE SECTIONS AND THROUGHOUT THE WEIGHLINE AREA TO BE BOX ANCHORED USING DRIVE-ON, ANTI-CREEP ANCHORS.
 6. RAILS EITHER SIDE OF WEIGHLINE SECTIONS SHOULD BE CONNECTED TO AN EFFECTIVE GROUND. (REFER TO INSTALLATION GUIDE A29569-0010).



DWG NO D47013-0014

QTY	UNIT	PART NO.	DESCRIPTION	REF. DESG.
BILL OF MATERIALS				
UNLESS OTHERWISE SPECIFIED DIMENSIONS ARE IN INCHES (XXX) DENOTES REFERENCE DATA / [mm] DENOTES METRIC DIMENSIONS				
W/L STATIC USED ON		APPROVALS: SIGNATURE & DATE		
NEXT ASSY USED ON		DRAWN: JON OWEN 28 OCT 93		
APPLICATION		CHECKED: MECH. ENG. JACK CALDICOTT		
EXCEPT AS MAY BE OTHERWISE PROVIDED BY CONTRACT, THESE DRAWINGS AND SPECIFICATIONS ARE THE PROPERTY OF WEIGH-TRONIX, INC. ARE ISSUED IN STRICT CONFIDENCE, AND SHALL NOT BE REPRODUCED, OR COPIED, OR USED AS THE BASIS FOR THE MANUFACTURE OR SALE OF APPARATUS WITHOUT PERMISSION.		ELECT. ENG. FINISH		
* IN PART NO. COLUMN DENOTES SPECIFICATION CONTROL DRAWING DO NOT SCALE DRAWING		NOT APPLICABLE		
THIRD ANGLE PROJECTION		MACHINED SURFACE FINISH UNLESS OTHERWISE INDICATED		
MACHINING DRAWINGS: REMOVE ALL BURRS AND SHARP EDGES		SCALE 1=6 DCN 3240 SHEET -		

8 7 6 5 4 3 2 1